

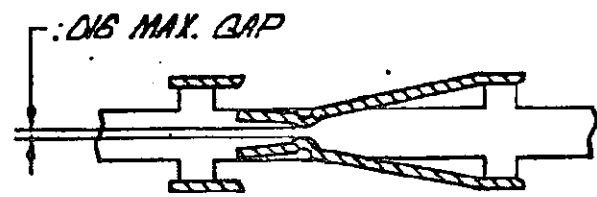
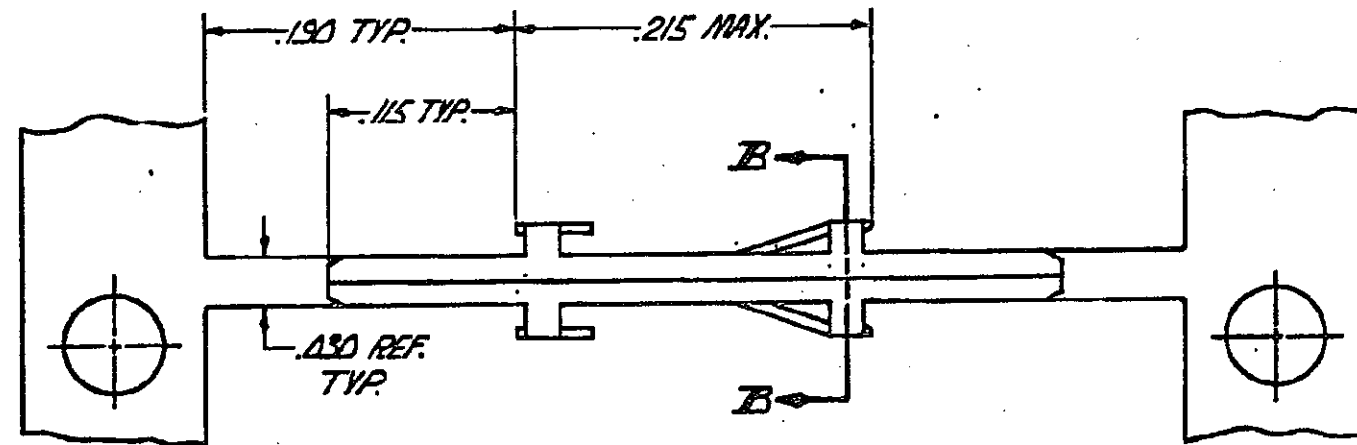
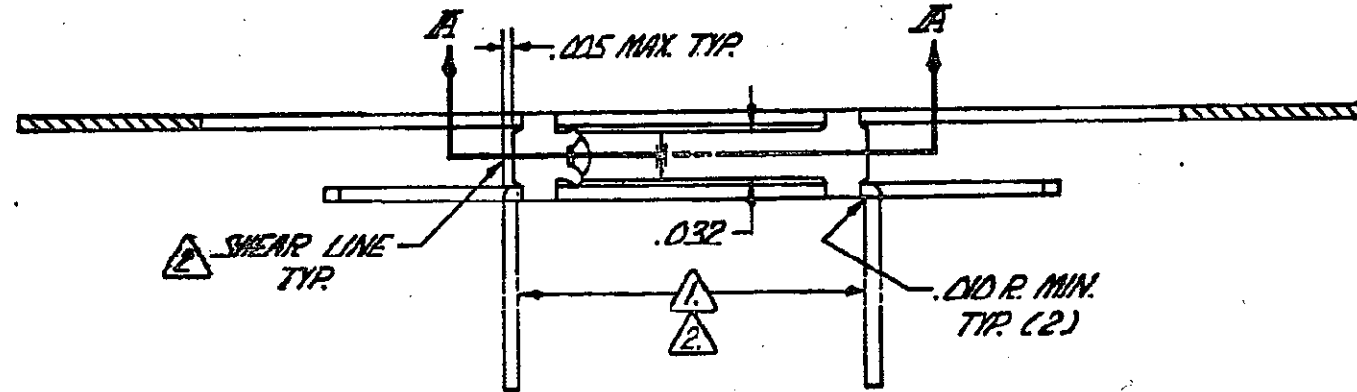
DRAWING MADE IN THIRD ANGLE PROJECTION

© COPYRIGHT 1978 BY AMP INCORPORATED, HARRISBURG, PA.
ALL INTERNATIONAL RIGHTS RESERVED. AMP INCORPORATED PRODUCTS
COVERED BY U. S. AND FOREIGN PATENTS AND/OR PATENTS PENDING.

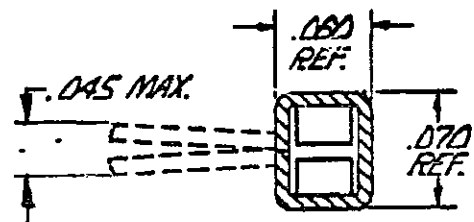
102096-1 I. AS SHOWN.

LOG DIST
ADL 37

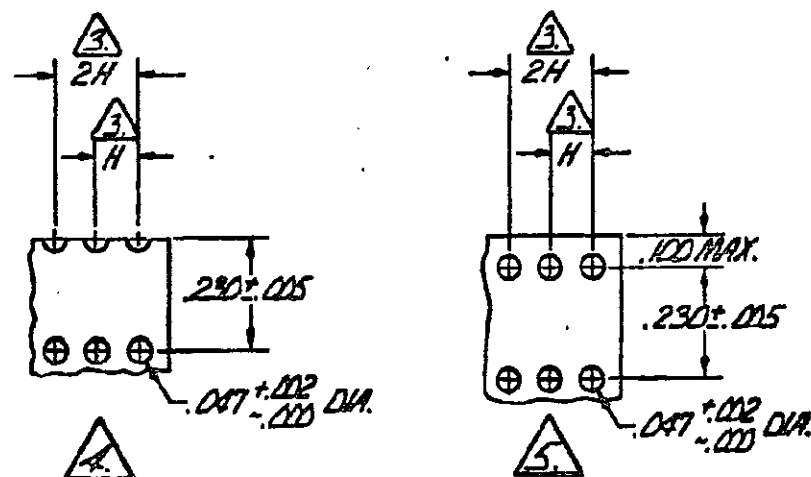
REVISIONS						
P	F	ZONE	LTR	DESCRIPTION	DATE	APPROVED
1			2	RELEASED		
			A	EC. 0010-0408-94	TR	1/24/85 C. J.
			B	REV PER 0310-0179-97	4/7/97	JH



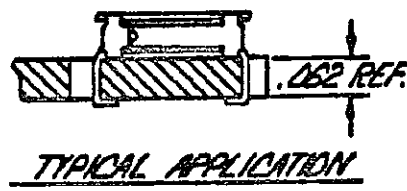
SECTION A-A



SECTION B-B



RECOMMENDED BOARD LAYOUTS



TYPICAL APPLICATION

- ⚠ TINES WILL BE BENT 90° IN APPLICATOR PRIOR TO ASSEMBLY INTO P.C. BOARD.
- ⚠ CONTACT LEGS SHOWN IN PHANTOM & SHEAR LINES DEFINE LOOSE PIECE PART.
- ⚠ H = RECEPTACLE CENTERS MAY VARY DEPENDING ON REQUIREMENTS. MINIMUM NOMINAL CENTERLINE SPACING BETWEEN ADJACENT RECEPTACLES IS .100". .003 TOLERANCE NOT TO ACCUMULATE OVER LENGTH OF BOARD.
- ⚠ THIS CONFIGURATION RECOMMENDED FOR RECEPTACLE WHEN MATING WITH POST NO. 85144 OR 87022.
- ⚠ THIS CONFIGURATION MAY NOT BE USED WITH POST NO. 85144 OR 87022.
- 6. SEE 102120-1 FOR LOOSE PIECE

		PART NO	
UNLESS OTHERWISE SPECIFIED DIMENSIONS ARE IN INCHES. TOLERANCES ON: DECIMALS ±.005 ANGLES	CONTRACT NO	AMP INCORPORATED Harrisburg, Pa.	
	DR CHK	NAME	
MATERIAL .028 COMMERCIAL PHOS. BRONZE	APPRD CHK	RECEPTACLE CONTACT; MOD II, STRIP, SHORT POINT-OF-CONTACT TYPE C.	
	APPRD	SIZE CODE IDENT NO DRAWING NO	
FINISH TIN PLATE .000030 MIN. THK.	DSGN APPD	C	00779
	OTHER APPD	DRAWING NO 102096	
SCALE		SHEET 1 OF 1	